



Installation Guide

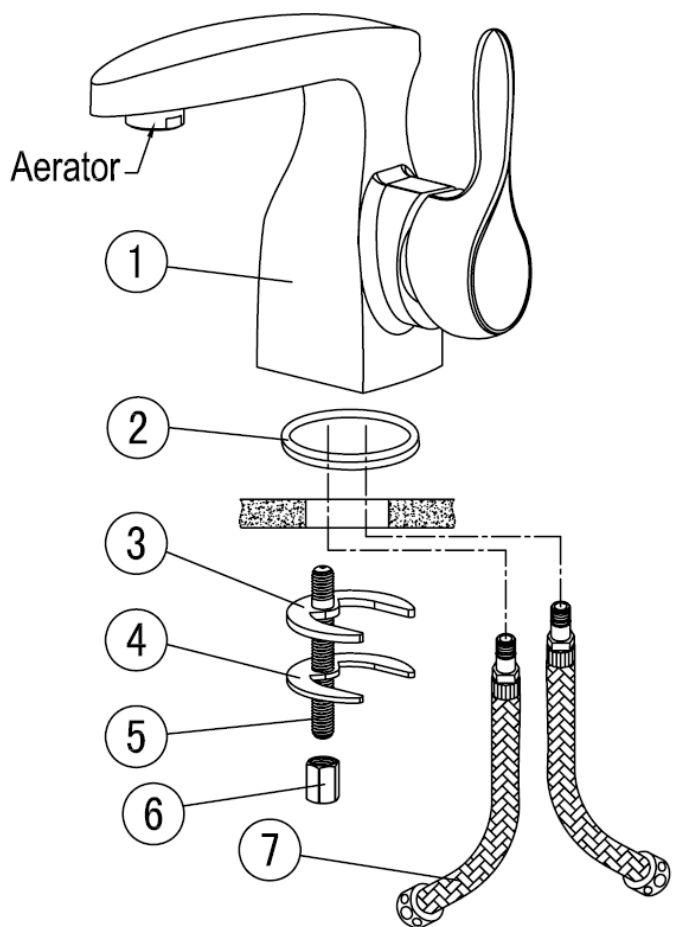
Email Support: support@wasserware.ca

Product Info:

- Do not disassemble the main body as the faucet has been thoroughly tested and optimized before leaving the factory. Damages caused by negligence will void the product warranty

- It is highly recommended that users possess the right tools, skills and knowledge to properly install kitchen and bathroom fixtures. In cases of uncertainty, please employ the service of a licensed plumber to ensure your products are installed in the correct manner. Damages to products or resulting consequential damages are not covered in the warranty.

- The maximum rated water pressure for this faucet is 140 psi, exceeding this water pressure will result in faucet damage not covered under warranty.



Accessories Included with the faucet:

Code	The Accessory List	Quantity
1	Main body	1
2	O-ring	1
3	Cushing	1
4	Gasket	1
5	Fixing bolt	1
6	Nut	1
7	Inlet pipe	2

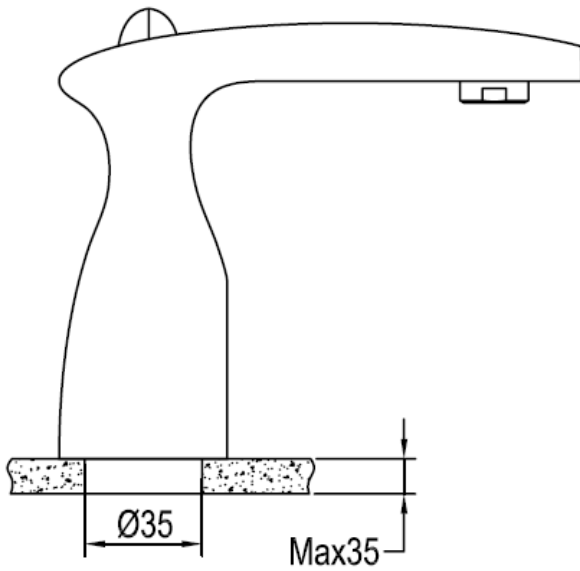


Wasser Ware

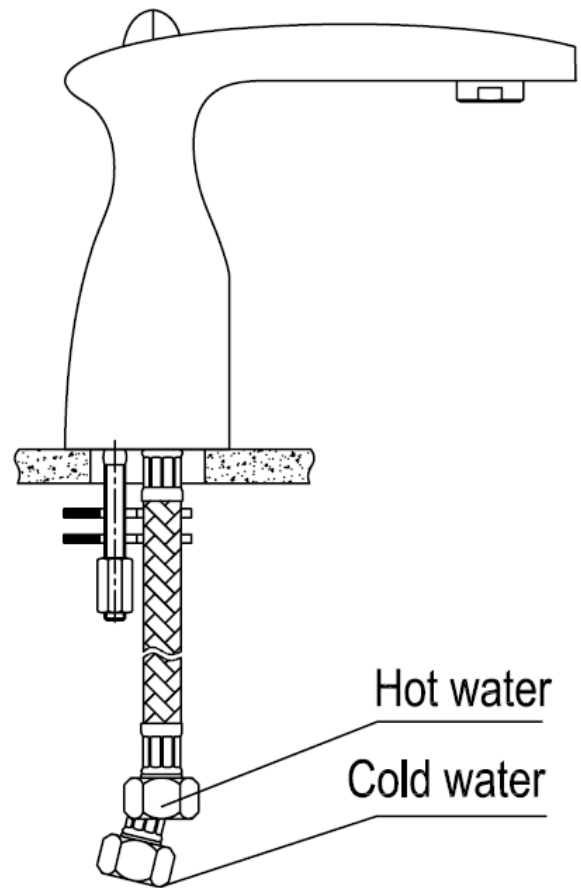
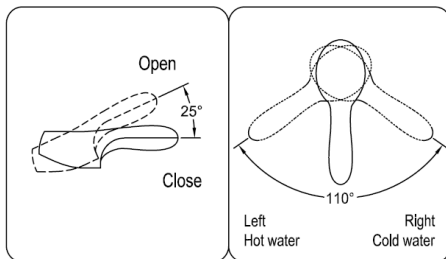
Premium Quality Products at a Quality Price
www.wasserware.ca

Installation Guide

Email Support: support@wasserware.ca

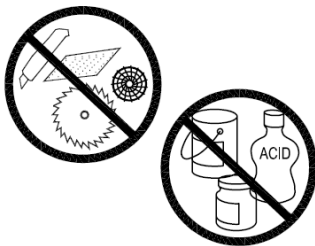


All Measurements in *mm*



WARNING:

Wasser Ware products are very easy to clean and maintain. It is advisable for customers to wipe the products surface with a semi-moist towel to remove any water marks or soap stains to restore the finish. Although our product finish is designed against corrosion and abrasion under normal use, long term contact with highly acidic fluids such as lemon juice or vinegar will cause permanent stains.



Consequently, hard impact with sharp objects such as kitchen knives will result in scratches.

Under no circumstances should the product be cleaned with abrasive or caustic cleaning agents as doing so will tarnish the product finish and this is not covered under warranty.



Part Number:
B1-12KC F.

SKU: 773491005082

**Original Supplied
Connector Hose**